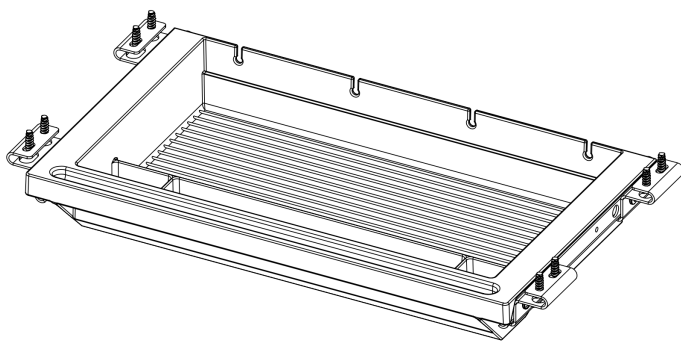


mini drawer



A thin-profile, non-locking drawer with ball bearing slides designed to fit underneath work surfaces, especially height-adjustable tables.

The MINI drawer is only 8" in depth and features a tray that can slide across the drawer and can also be removed and placed on the work surface to hold accessories or personal items. The tray also allows for easy-access storage inside the drawer. Wire management slots on the backside of the MINI allow the user to place items such as their mobile phone inside and then draw the charging cord out the back.



- **MINI drawer model #: -MD**
- 13.6"w x 8"d x 2"h
- Page 227 of Accessories price list
- Color: Black
- **\$104 list each**